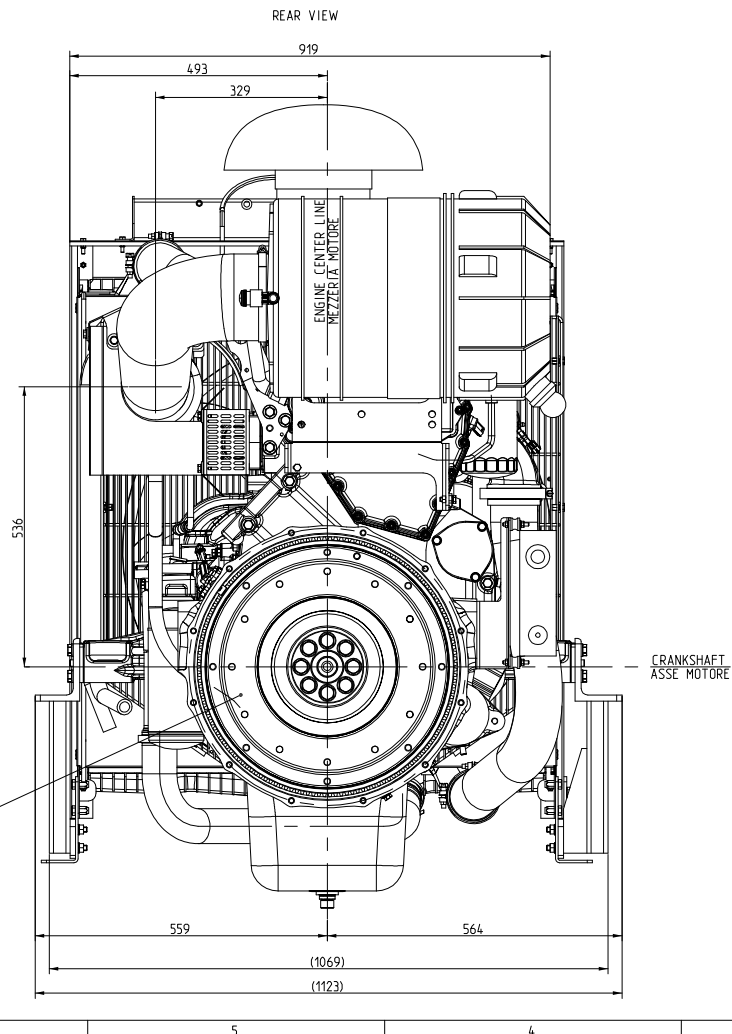
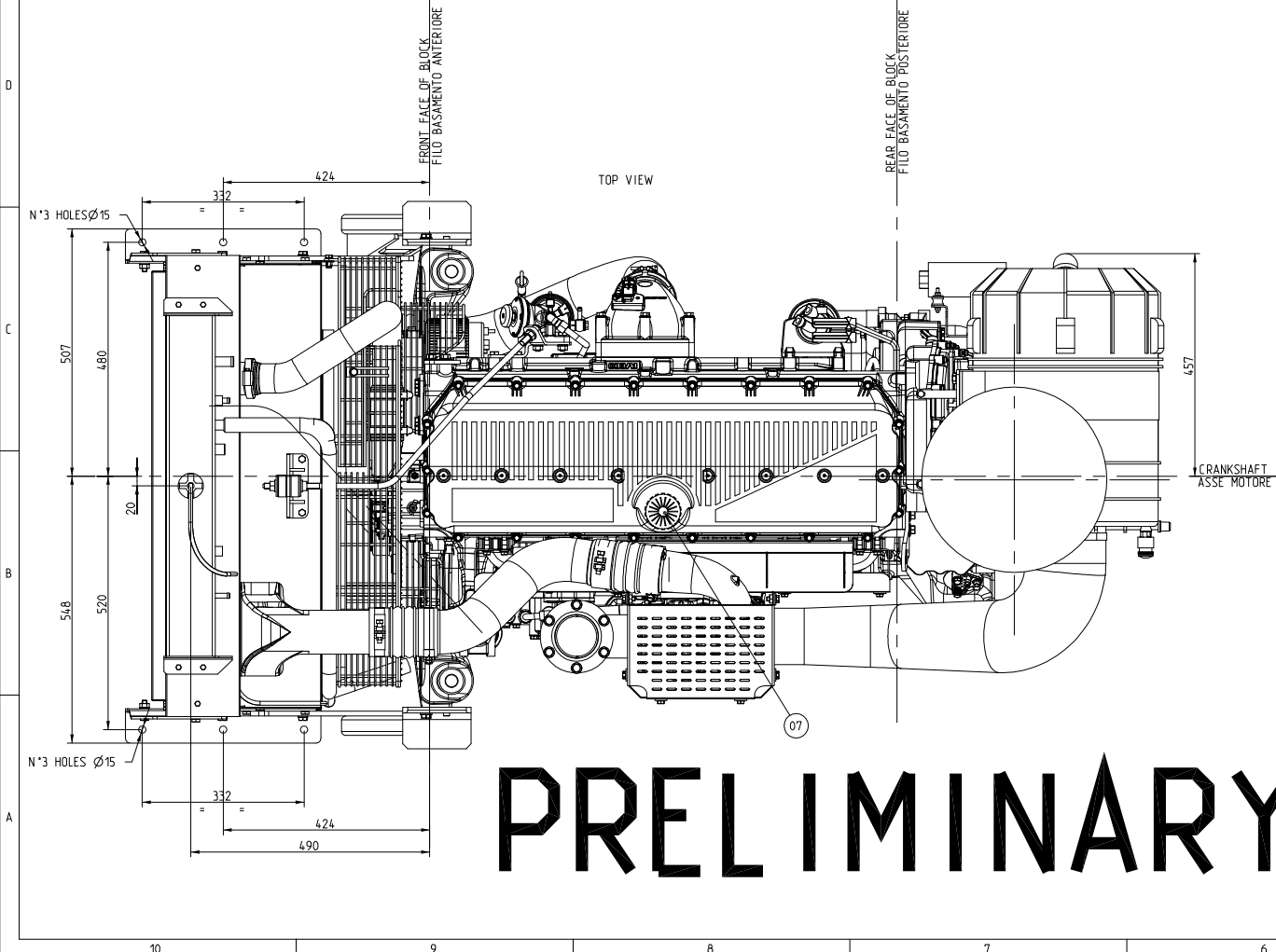
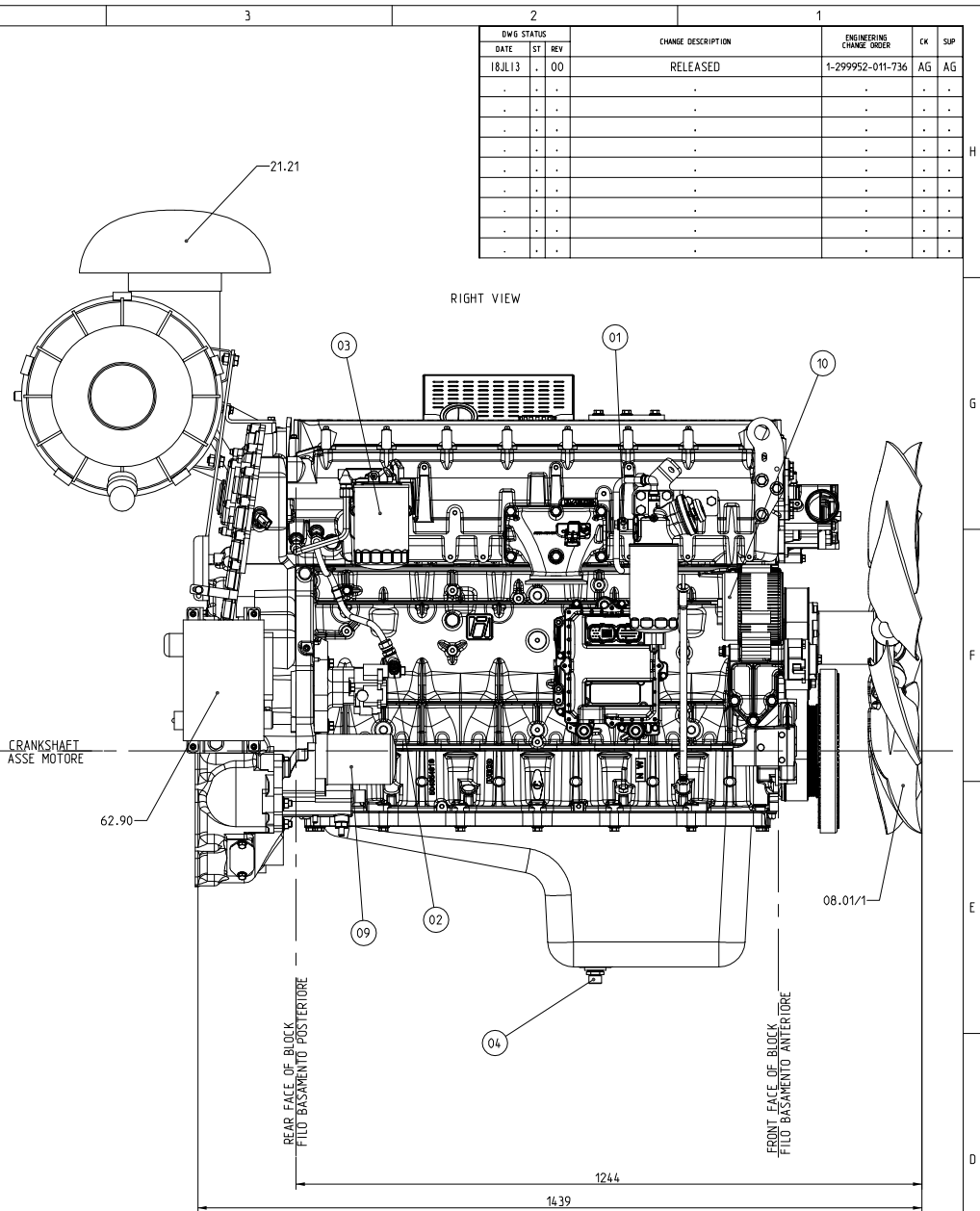
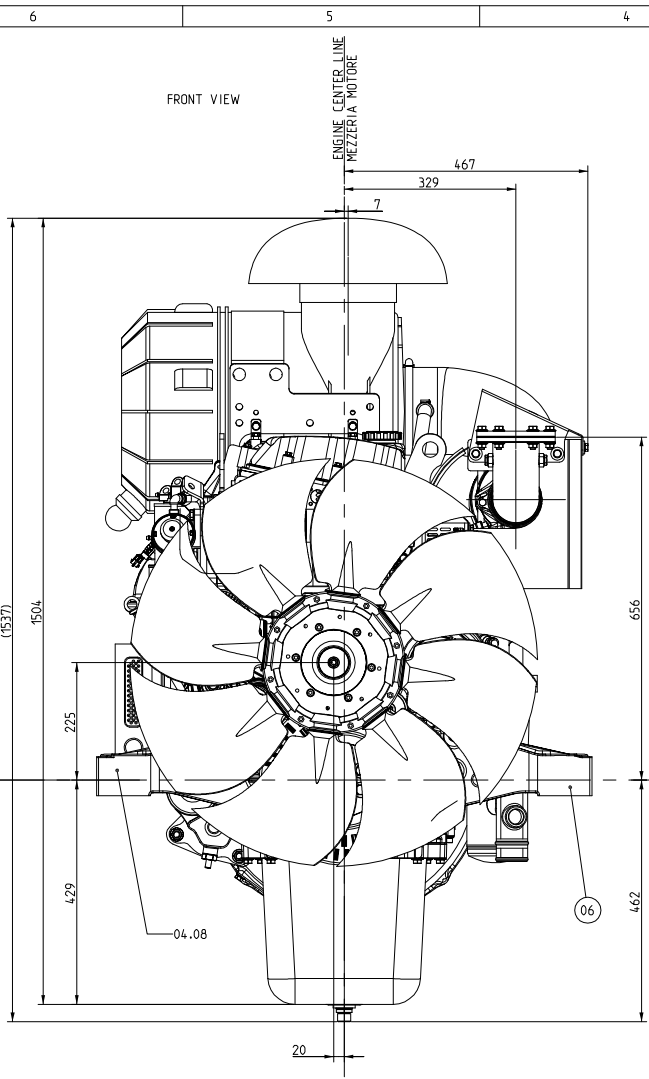
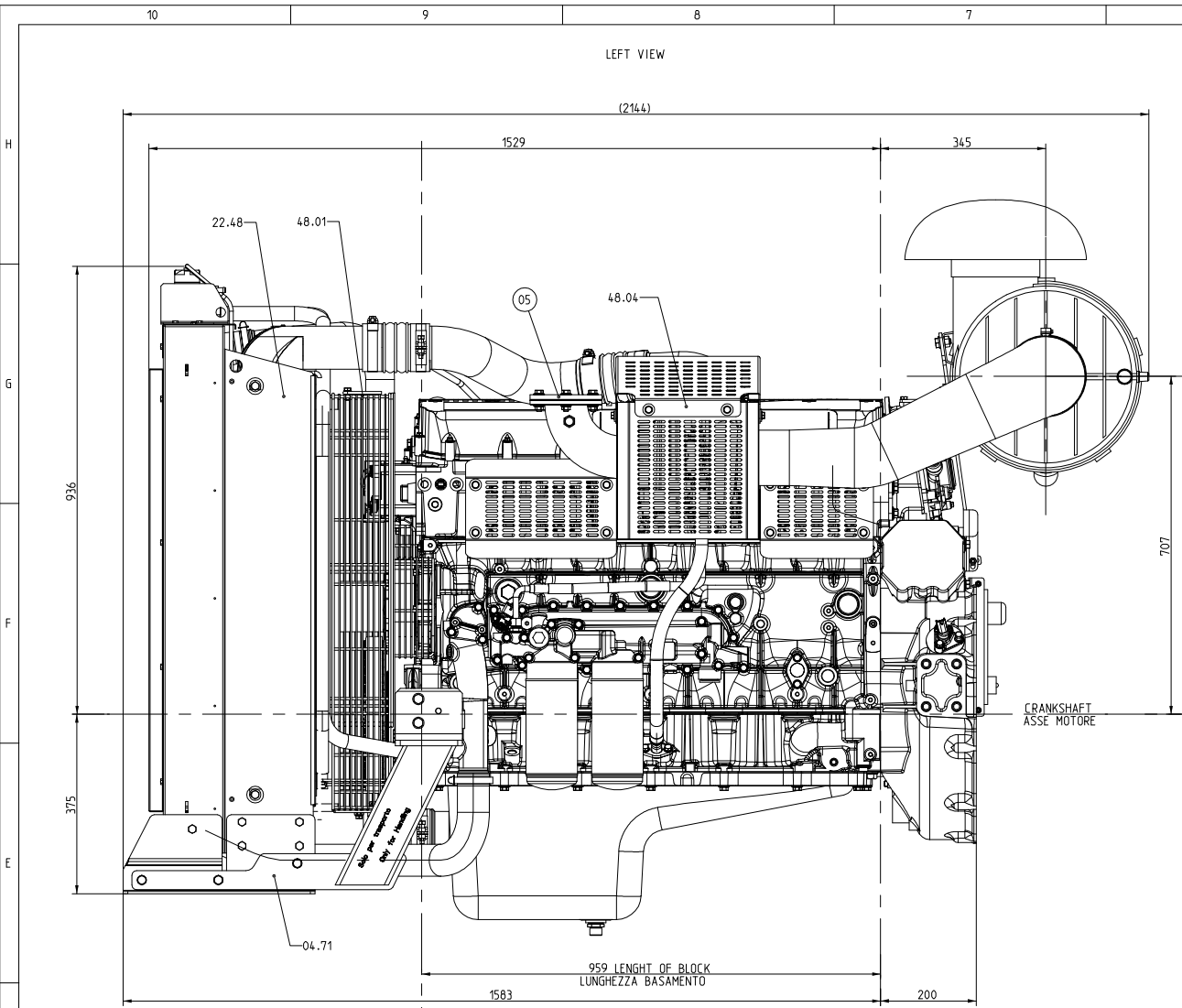


DWG STATUS			CHANGE DESCRIPTION	ENGINEERING CHANGE ORDER	CK	SIP
DATE	ST	REV				
18JUL13	00		RELEASED	1-299952-011-736	AG	AG



ENGINE P/N	DWG ING P/N	KW
5801770901	5801769768	300

A.S.	DESCRIPTION
04.71	PROVISIONAL RADIATOR SUPPORT ONLY FOR TRANSPORT
08.01/1	BLOWER FAN
21.21	VIRGIS DRY AIR FILTER
22.48	WATER RADIATOR
48.01	PROTECTION AND SHIELD FOR FAN AND BELTS
48.04	PROTECTION AND SHIELD EXHAUST GAS MANIFOLD
62.90	INTERFACE BOX
04.08	ENGINE SUPPORT

ENGINE INTERFACES		
ENGINE P/N	DESCRIPTION	ENGINE P/N
10	ENGINE ALTERNATOR CONNECTION	
09	ENGINE STARTING MOTOR CONNECTIONS	
08	ENGINE ENGINE CLUTCH COMPLING	
07	OIL OIL FILL	
06	ENGINE SUSPENSION FRONT ENGINE RIGID	
05	AIR EXHAUST FLANGE DETAIL	
04	OIL OIL DRAIN	
03	FUEL FUEL FILTER	
02	FUEL FUEL DRAIN	
01	FUEL FUEL INLET	

CLEANINESS TARGETS: FPT-MA-ND50
FOR FURTHER DRAFTING STANDARDS SEE FPT-PEN001
FOR GENERAL TOLERANCE SEE FPT-PEN001

CONFIDENTIAL INFORMATION PRODUCT LIABILITY & PROTECTION NOTICE TO FPT INDUSTRIAL

WEIGHT: 0.000 RAW No. CHA CODE: D ILEXION CODE: 14.334.0 SCALE: 1:1
SURFACES: FPT-PEN001 WORKPIECE EDGES: FPT-PEN001

PROPRIETARY RIGHTS: All proprietary rights reserved by FPT Industrial S.p.A. This drawing shall not be reproduced, or in any way utilized, for the manufacture of any component or unit herein illustrated and must not be released to other parties, without written consent. Any infringement will be legally pursued.

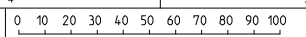
DENOMINATION: CURSOR10TE1F TECHNICAL CODE: 54-9756 DRAWING NAME: DRAWING-ENGINE COMPLETE DRAWING NUMBER: 5801769768

SIGNATURE: MALLUOL (DETA) DATE: 18JUL13
CHECKER: A.GIACALONE
SUPERVISOR: LABORATORY: MANUFACT. ENG.

METRIC DIMENSIONS SHOWN IN MILLIMETERS UNLESS OTHERWISE SPECIFIED

SHEET NUMBER: 1 of 3 DRAWING NUMBER: 5801769768 DWG STATUS: ST REV: 001 SIZE: A0

PRELIMINARY



FPT Industrial S.p.A.
PROTEZIONE AREA