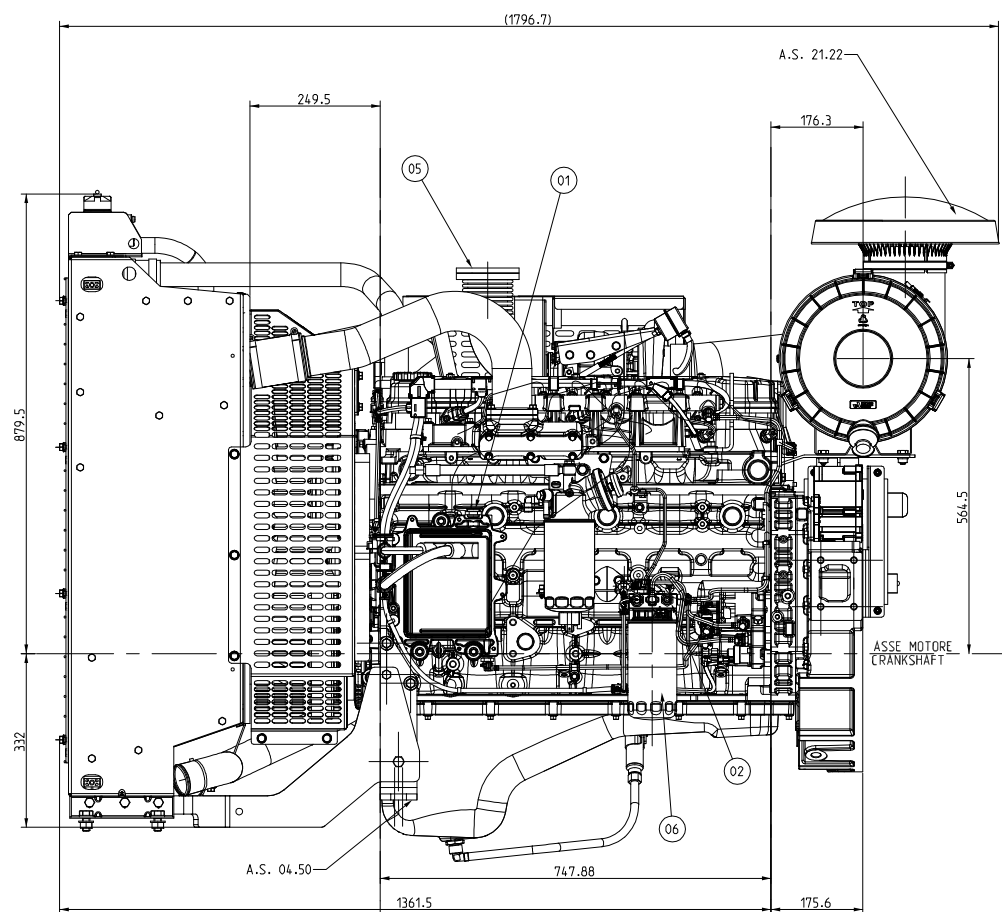
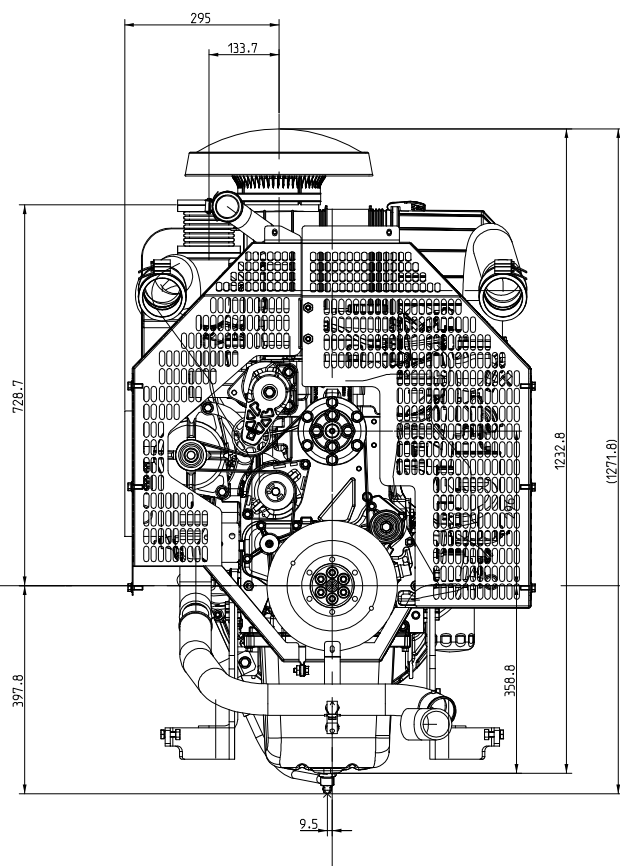


DWG STATUS	DATE	ST	REV	CHANGE DESCRIPTION	ENGINEERING CHANGE ORDER	CK	SUP
200C11	.00			RELEASED	12C280U002736	PP	.
06M14	.01			UPDATE MODEL AND DRAWING	1299948006736	AV	PP
.
.

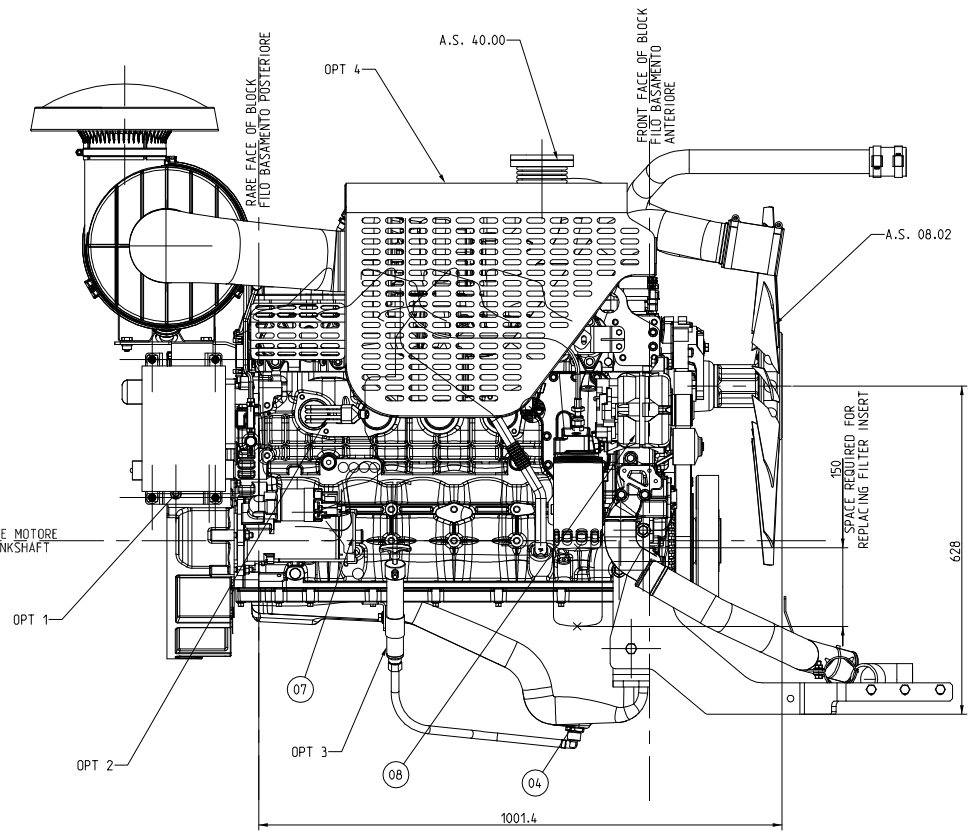
LEFT VIEW



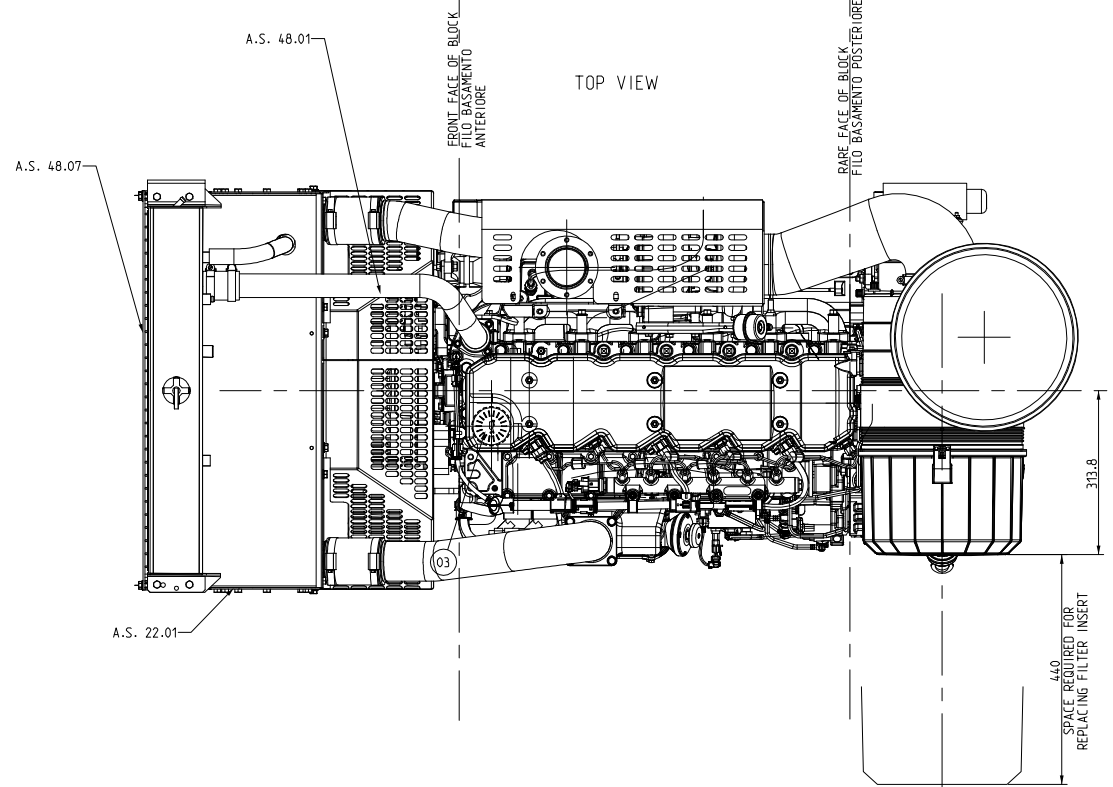
FRONT VIEW



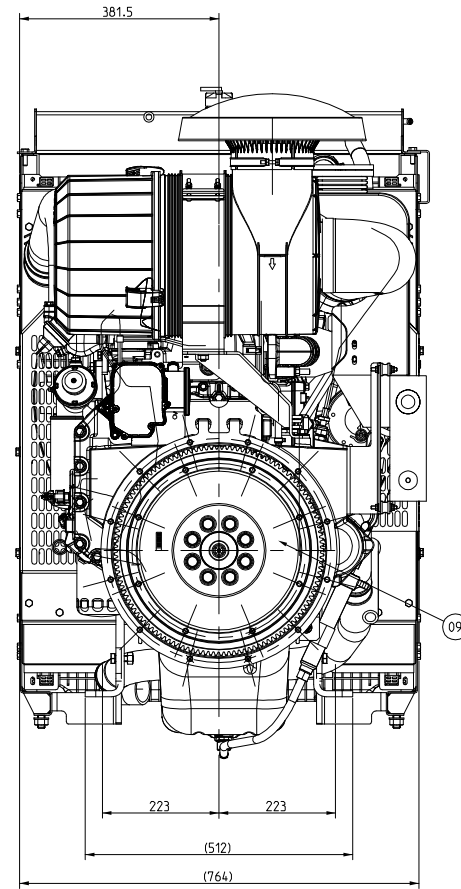
RIGHT VIEW



TOP VIEW



BACK VIEW



ENGINE P/N	DWG ING P/N	KW
5801535420	5801471389	150
5801535424	5801471389	170

- OPT 4 Exhaust gas heat guard - IF REQUIRED
- OPT 3 Oil drain hand pump - IF REQUIRED
- OPT 2 Water heater 220V 1530W -IF REQUIRED
- OPT 1 Engine control connection box -IF REQUIRED

A.S. 04.50	ENGINE SUSPENSION
A.S. 08.02	BLOWER FAN
A.S. 21.22	VIRGIS ECONOMICAL DRY AIR FILTER
A.S. 22.01	WATER RADIATOR
A.S. 40.00	REAR EXHAUST GAS ELBOW UPWARDS WITHOUT HOSE
A.S. 48.01	PROTECTION AND SHIELD FOR FAN AND BELTS
A.S. 48.07	PROTECTION AND SHIELD FOR WATER RADIATOR

ENGINE INTERFACES		
09	ENGINE	STARTING MOTOR CONNECTION
08	ENGINE	ALTERNATOR CONNECTIONS
07	ENGINE	ENGINE CLUTCH COUPLING
06	FUEL	FUEL FILTER
05	AIR	EXHAUST FLANGE DETAIL
04	OIL	OIL DRAIN
03	OIL	OIL FILL
02	FUEL	FUEL DRAIN
01	FUEL	FUEL INLET

CLEANNESS TARGETS: FPT-MA-ND50
 FOR FURTHER DRAFTING STANDARDS SEE FPT-PEN001
 FOR GENERAL TOLERANCE SEE FPT-PEN001
 CONFIDENTIAL INFORMATION PRODUCT LIABILITY & PROTECTION NOTICE TO FPT INDUSTRIAL

WEIGHT (kg)	RAW No.	CHA CODE	BLEKON CODE	SCALE
0.000		D	14.334.0	1:5

SURFACES FPT-PEN001
 WORKPIECE EDGES FPT-PEN001

DENOMINATION	SIGNATURE	DATE
NEF67TE2F	DETA	190C 11
TECHNICAL CODE	CHECKER	PEDROTTI
	SUPERVISOR	200C 11
	LABORATORY	
	MANUFACT. ENG.	

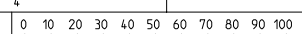
Pre-Engineer
 W ilofire
 CHANGE RESTRICTED
 NO MANUAL CHANGES

METRIC
 DIMENSIONS SHOWN IN
 MILLIMETERS UNLESS
 OTHERWISE SPECIFIED

DRAWING NAME
**DRAWING-ENGINE COMPLETE
 FIGURINO MOTORE**

SHEET NUMBER	DRAWING NUMBER	DWG STATUS	SIZE
1 of 3	5801471389	004	A0

Proprietà della FPT Industriale S.p.A.
 Sott' autorizzazione scritta della stessa il presente disegno non potrà essere utilizzato per la costruzione di altri oggetti espressamente ne' venire comunicato a terzi o riprodotta, la società preparatoria tutela i propri diritti a ripete di legge.
 Alle Eigentumsrechte sind die Rechte vorbehalten. Ohne schriftliche Genehmigung darf diese Zeichnung weder zur Herstellung des dargestellten Gegenstandes verwendet noch reproduziert bzw. Dritten übertragen werden. Jede Rechtsverletzung wird gerichtlich verfolgt.
 All proprietary rights reserved by FPT Industriale S.p.A. This drawing shall not be reproduced, or in any way utilized, for the manufacture of any component or unit herein illustrated and must not be released to other parties, without written consent. Any infringement will be legally pursued.



FPT INDUSTRIAL S.p.A. PROTEZIONE AREA