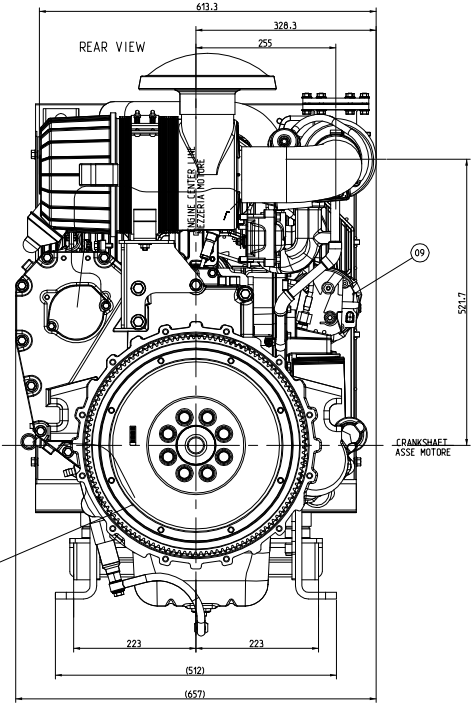
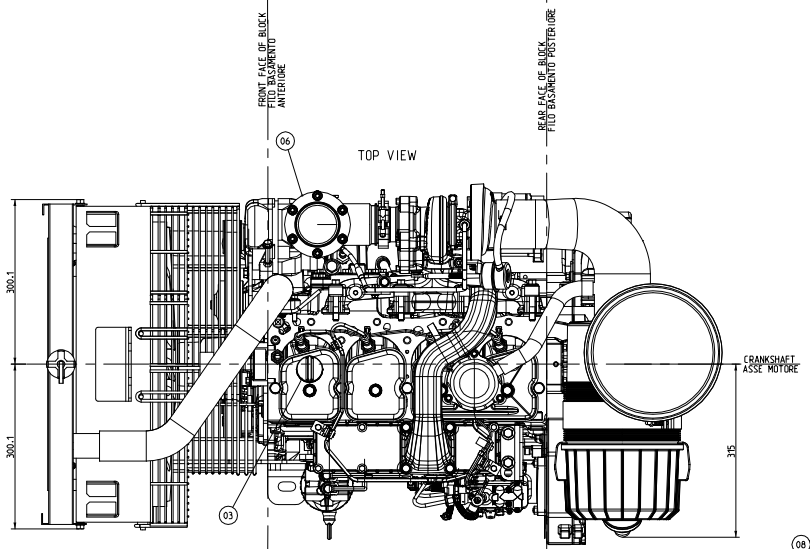
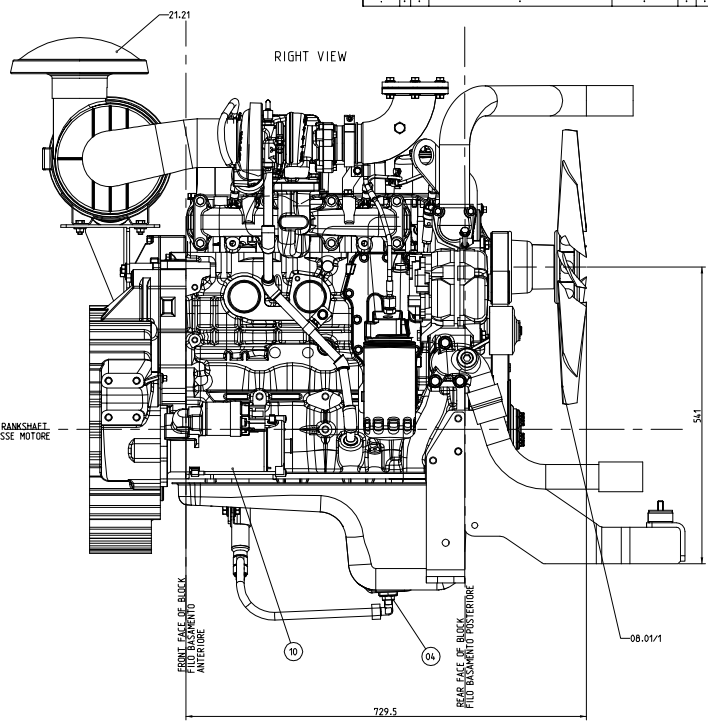
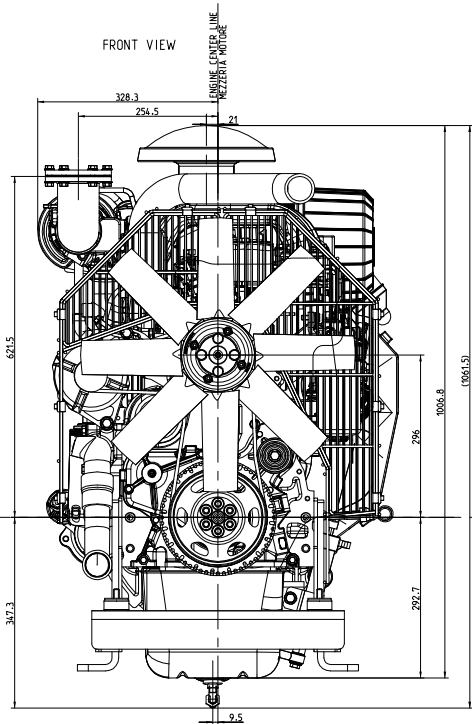
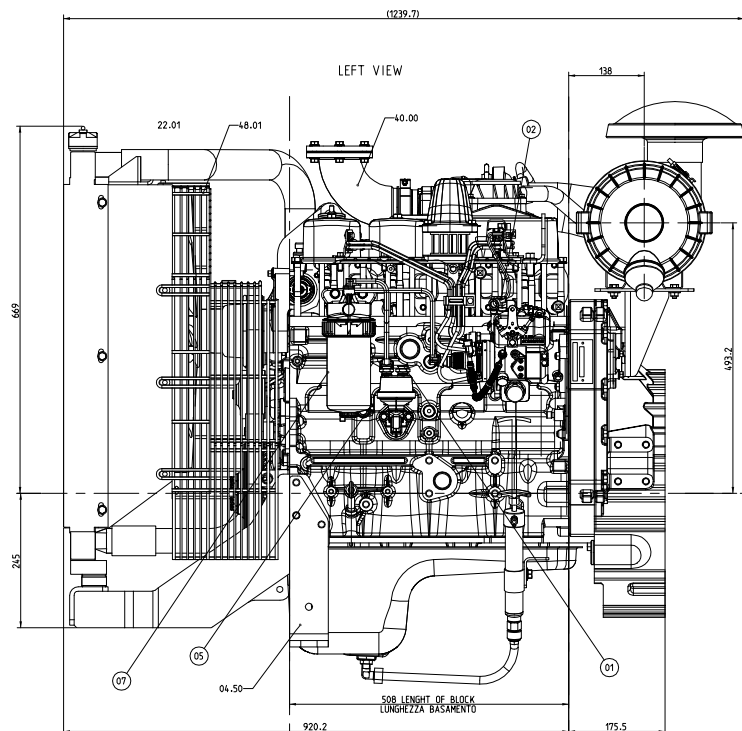


DWG STATUS		CHANGE DESCRIPTION	PREPARED BY (NAME, DESIG.)	CA	SP
DATE	BY REV				
18FE14	00	RELEASED	1-2CZCJ4-002-734	AV	PP
.
.
.



ENGINE P/N	DWG ING P/N	KW
580753817	5801868304	62

- A.S. 04.50 ENGINE SUSPENSION
- A.S. 08.01/1 BLOWER FAN
- A.S. 21.21 VIRGIS ECONOMICAL DRY AIR FILTER
- A.S. 22.01 WATER RADIATOR
- A.S. 40.00 REAR EXHAUST GAS ELBOW UPWARDS WITHOUT HOSE
- A.S. 48.01 PROTECTION AND SHIELD FOR FAN AND BELTS

ENGINE INTERFACES		
10	ENGINE	STARTING MOTOR CONNECTION
09	ENGINE	ALTERNATOR CONNECTIONS
08	ENGINE	ENGINE CLUTCH COUPLING
07	FUEL	FUEL FILTER
06	AIR	EXHAUST FLANGE DETAIL
05	OIL	OIL PRESSURE SENSOR
04	OIL	OIL DRAIN
03	OIL	OIL FILL
02	FUEL	FUEL DRAIN
01	FUEL	FUEL INLET

CLEANLINESS TARGETS: PPT-M-NISO
 FOR FURTHER CLARIFY THE STANDARDS SEE PPT-PENNOT
 FOR GENERAL TOLERANCE SEE PPT-PENNOT
 CONFIDENTIAL INFORMATION PRODUCT LIABILITY & PROTECTION NOTICE TO PPT INDUSTRIAL
 WEIGHT TYP. DIM. CODE 143340 SCALE 3:10
 SURFACES PPT-PENNOT DIM. CODE 143340 SURFACES EDGES PPT-PENNOT

 DENOMINATION NEF45SMF1 CHECKER VOLPIANO A. SUPERVISOR LABORATORY MANUFACT. ENG.	SIGNATURE DATE 10FE14
Pro/Engineer 54-9704 DRAWING NAME DRAWING-ENGINE COMPLETE	DIMENSIONS SHOWN IN MILLIMETERS UNLESS OTHERWISE SPECIFIED
SHEET NUMBER 1 * 3	DRAWING NUMBER 5801868304
DWG STATUS 001	SIZE A0

